

MA types 2 and 3

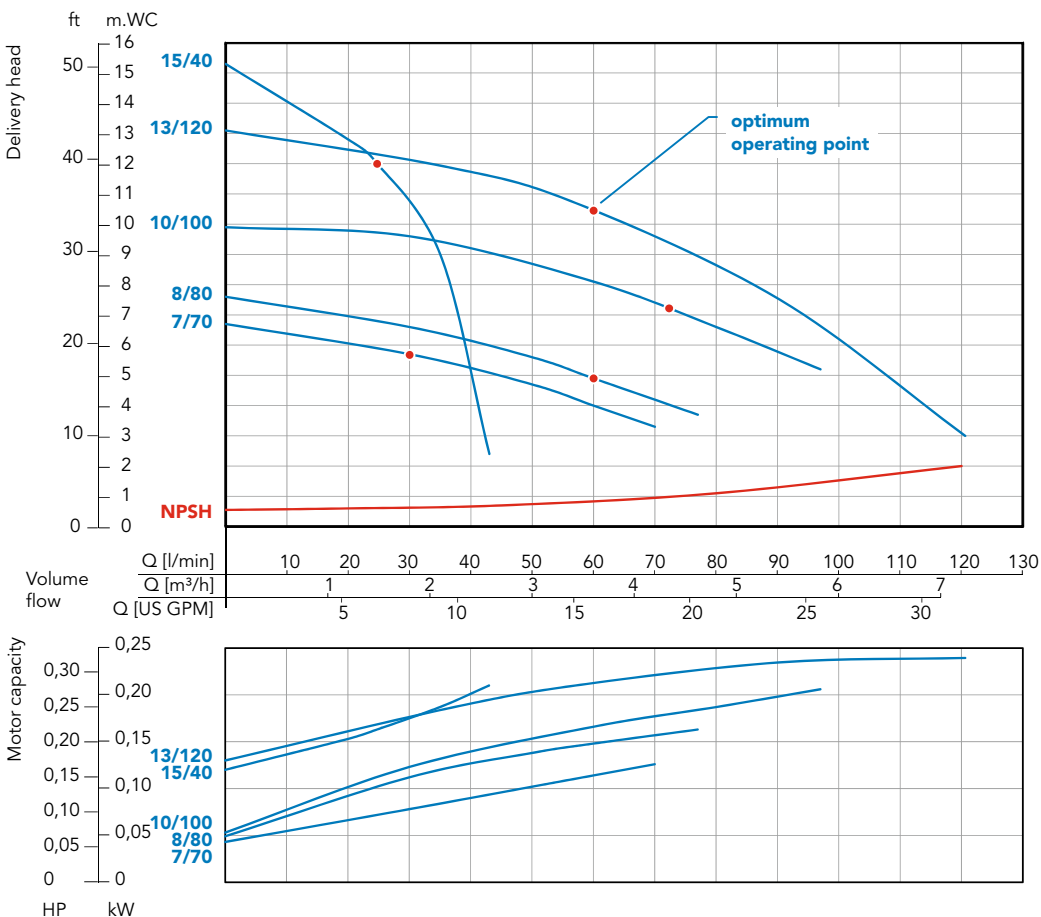


- without shaft seal
- streamlined housing made of PP or ETFE
- volume flow of MA pump type 2 is up to 80 l/min, of MA pump type 3 up to 100 l/min
- discharge head of MA pump type 2 is up to 8 m.WC, of MA pump type 3 up to 15m.WC
- horizontal single-stage monoblock design



For all advantages of MAGSON pumps see page 9.

Characteristic curves



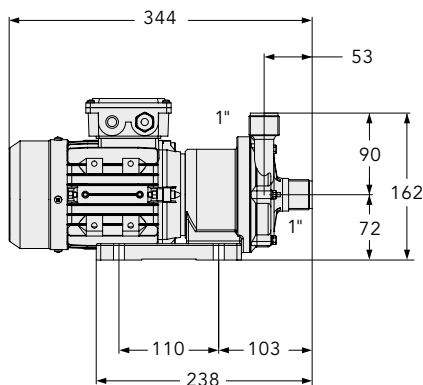
Determined with water of 20°C; measured values ± 10%

Technical data MA	Type 2		Type 3		
	7/70	8/80	15/40	10/100	13/120
Material*	PP (glass-fibre reinforced) / ETFE (carbon-fibre reinforced)				
Max. delivery head in [m.WC] at 50Hz	7	8	15	10	13
Max. volume flow in [l/min] at 50Hz	70	80	40	100	120
Max. density in [g/cm ³] at 50Hz**	1.9	1.1	1.1	1.4	1.1
Motor capacity in [kW]	0.18		0.25		
Current rating (400V, 50Hz) in [A]	0.54		0.71		
Rated speed in [rpm] at 50Hz/60Hz	3000/3600				
Suction port	1" or 1 1/2" thread with adapter				
Discharge port	1" or 1 1/2" thread with adapter				
Voltage in [V]	230V AC or 230/400V three-phase AC				
Protection class	IP 55				
Max. flow velocity in [m/s]	suction side = 1 / discharge side = 3				
Max. temperature for PP/ETFE in [°C]	70/80				
Max. system pressure for PP/ETFE at 20°C in [bar]	1.5	3	3	2	2

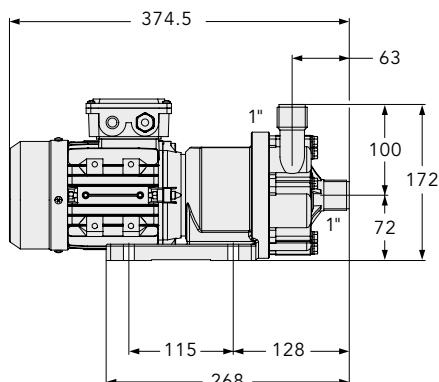
* Material used for housing, impeller unit and rear casing: (sheath of inner magnet made of PP without fibre reinforcement, type MA-15/40 is not available in ETFE.) ** approx. value at max. volume flow (higher density possible when flow rate is reduced)

Dimensions in [mm]

MA type 2



MA type 3



Materials

You will find all materials available and their characteristics on page 8.

Accessories

such as frequency converters see page 11, thread adapter see page 10 and additional accessories see page 28.

Motor dimensions may differ according to manufacture.